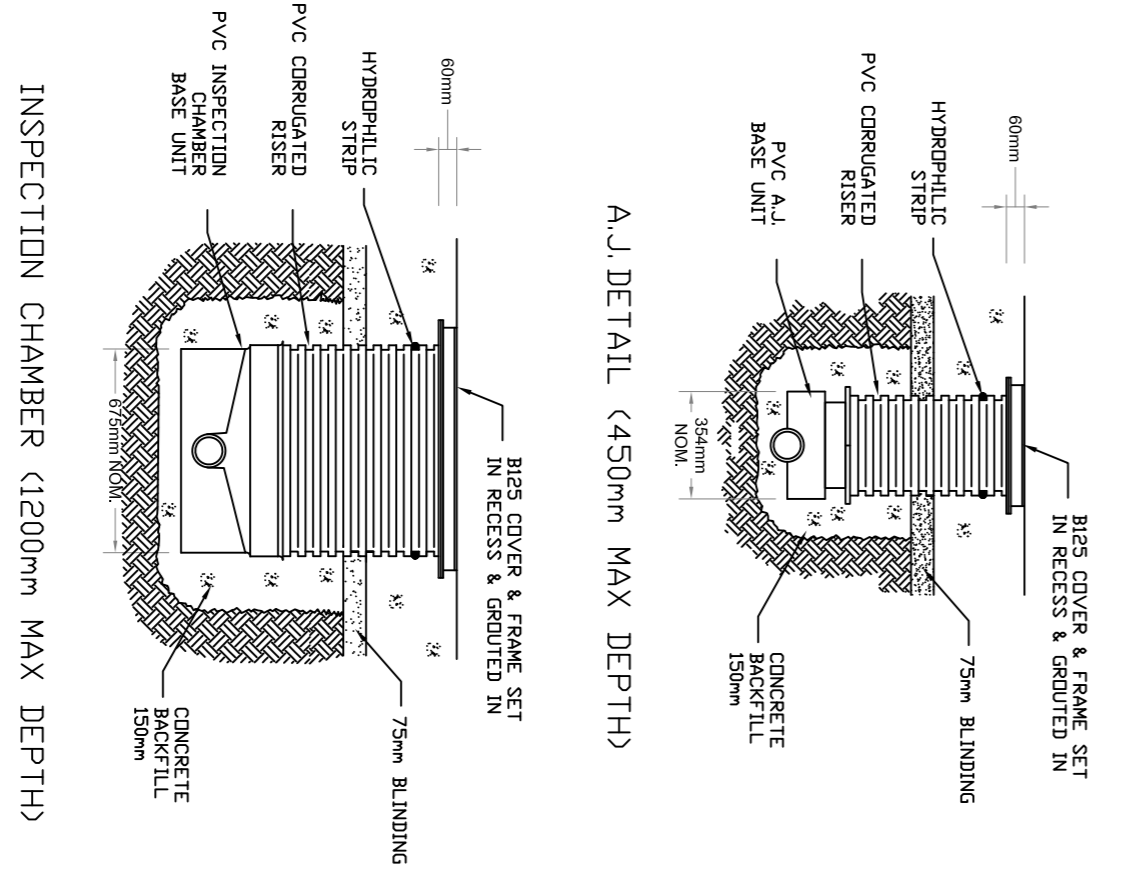


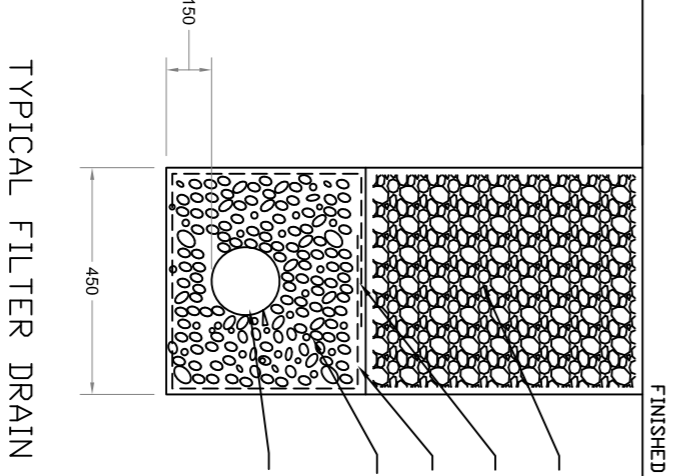
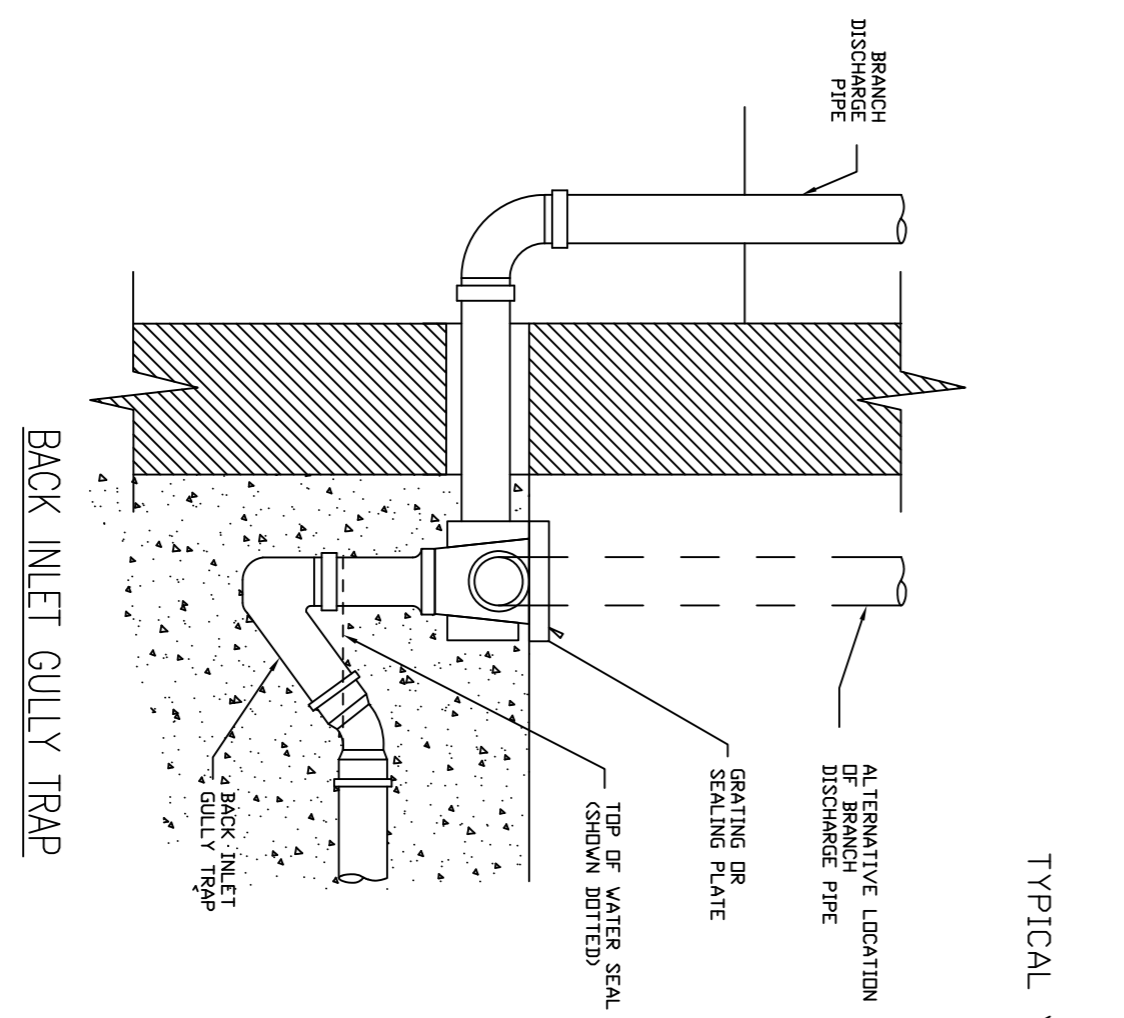
FLOW CONTROL MANHOLE DETAIL
TYPE E MANHOLE IN ACCORDANCE WITH THE
GREATER DUBLIN REGIONAL CODE OF PRACTICE
SCALE 1:20



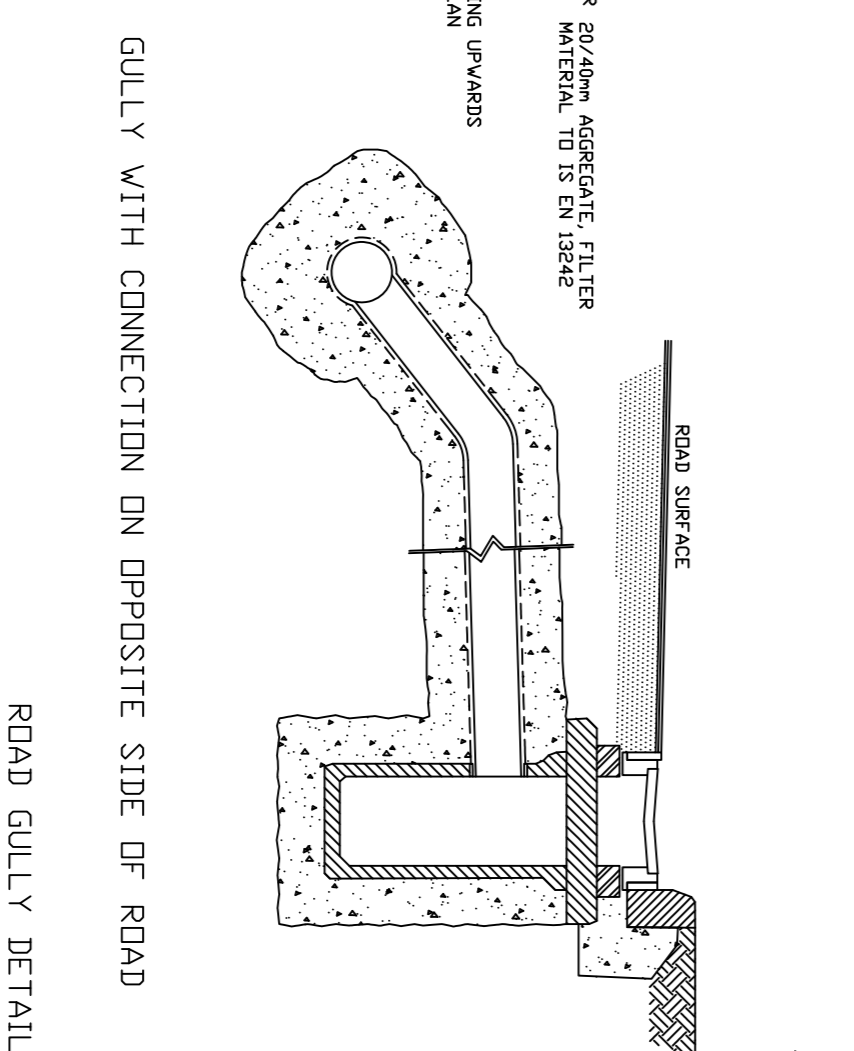
Typical Vertical Backdrop Detail
Scale 1:20

DIMENSIONS

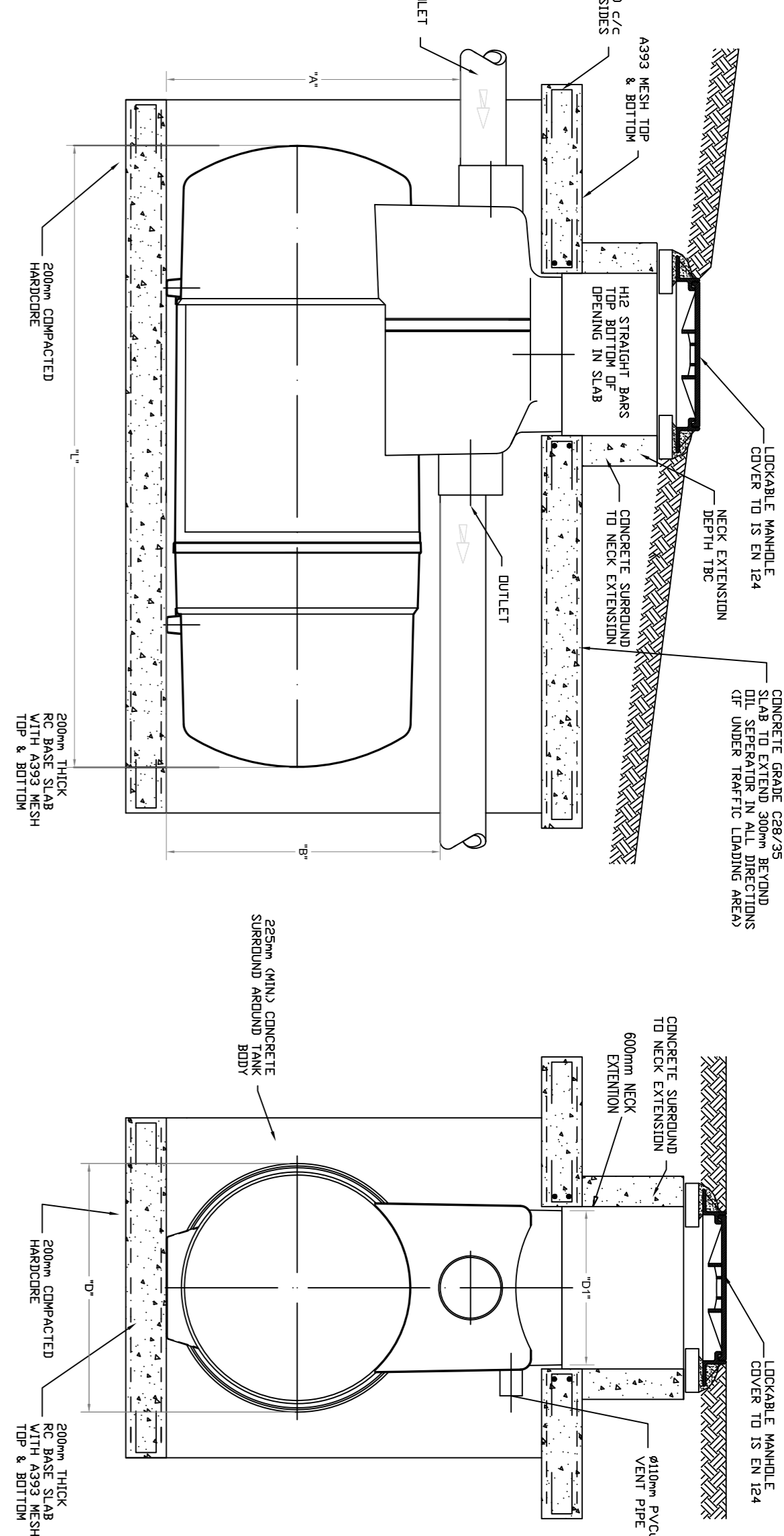
UNIT REF No.	TYPICAL LENGTH (mm)	STANDARD INLET (mm)	BASE TO RISE INVERT (mm)	BASE TO INLET (mm)	FALL ADRESS SHEETS (mm)	ADRESS (mm)
INSER02	3	1700	1350	1450	1350	100
INSER03	3	1700	1350	1450	1350	100
INSER04	4	1700	1350	1450	1350	100
INSER05	4	1700	1350	1450	1350	100
INSER06	10	1900	1550	1650	1550	100
INSER07	10	1900	1550	1650	1550	100
INSER08	15	1900	1550	1650	1550	100
INSER09	20	1900	1550	1650	1550	100
INSER10	25	1900	1550	1650	1550	100
INSER11	30	1900	1550	1650	1550	100
INSER12	35	1900	1550	1650	1550	100
INSER13	40	1900	1550	1650	1550	100
INSER14	45	1900	1550	1650	1550	100
INSER15	50	1900	1550	1650	1550	100
INSER16	55	1900	1550	1650	1550	100
INSER17	60	1900	1550	1650	1550	100
INSER18	65	1900	1550	1650	1550	100
INSER19	70	1900	1550	1650	1550	100
INSER20	75	1900	1550	1650	1550	100
INSER21	80	1900	1550	1650	1550	100
INSER22	85	1900	1550	1650	1550	100
INSER23	90	1900	1550	1650	1550	100



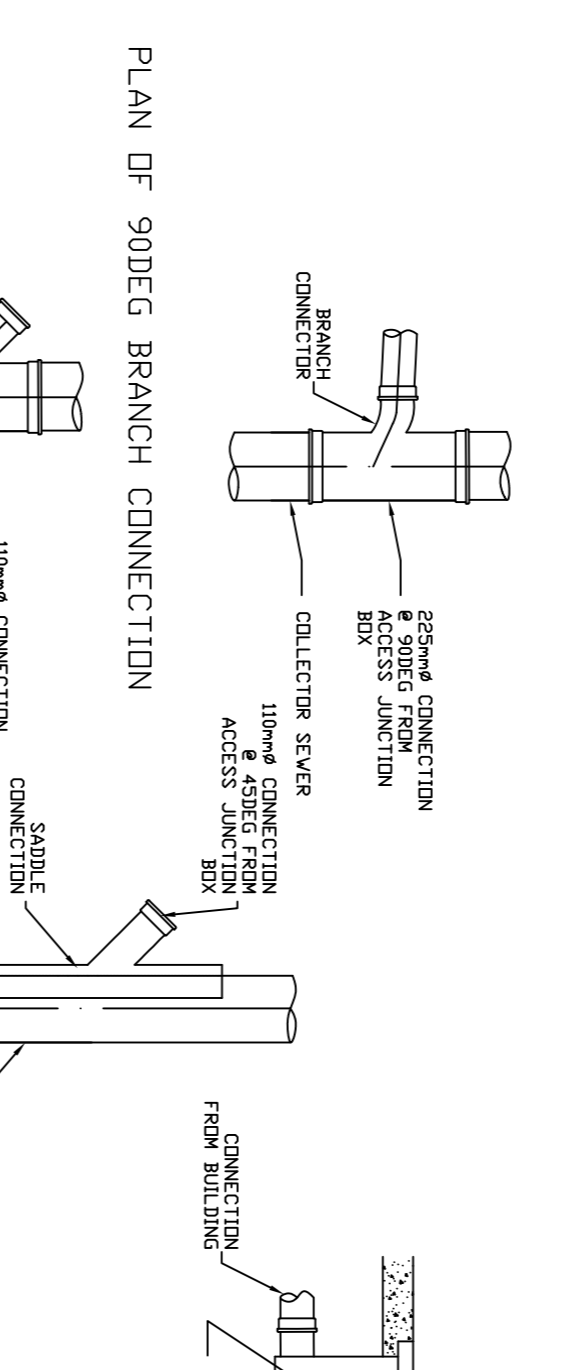
Typical Filter Drain
Scale 1:20



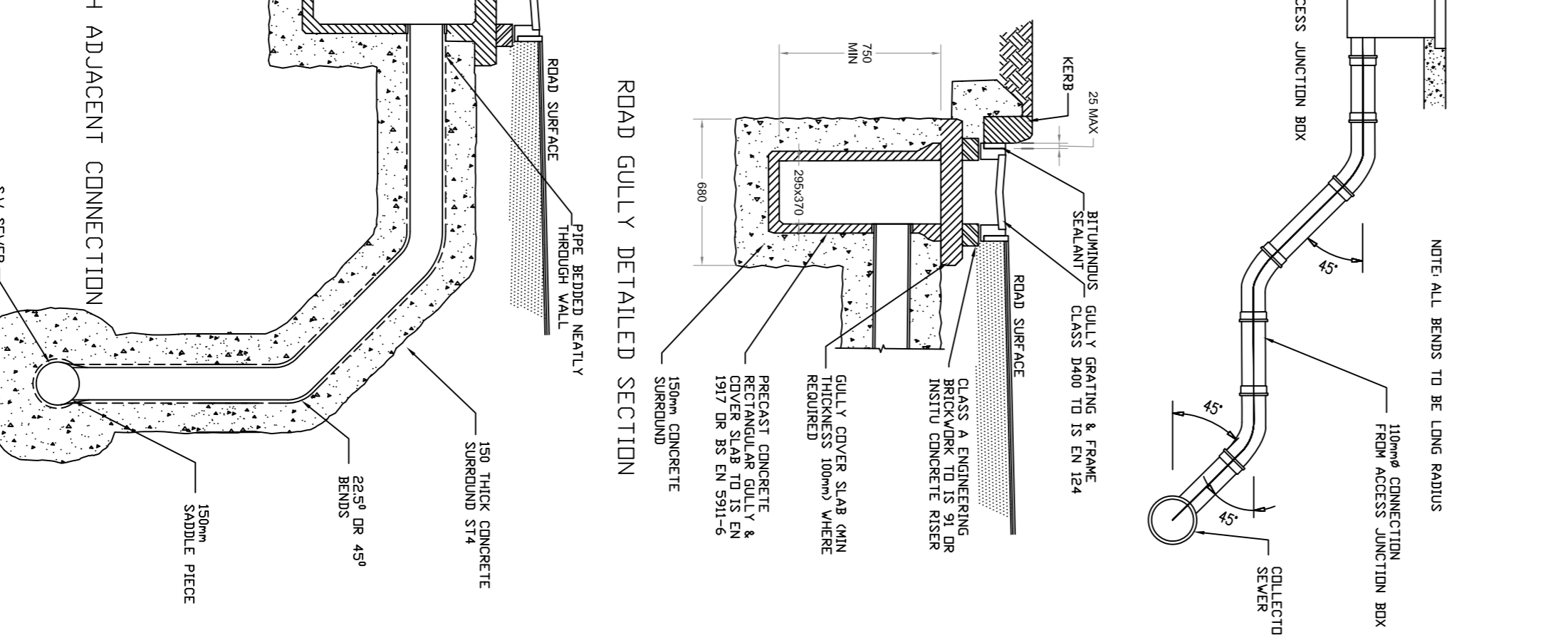
Road Gully Details
Scale 1:20



Petrol Intercepter Detail (Typical)
Scale 1:20



Pipe Connection Details
Scale NTS



Road Gully Detailed Section
Scale 1:20

DIMENSIONS
Figured dimensions only to be taken from this drawing.
All dimensions to be checked on site.
Architects to be informed immediately of any discrepancies before work proceeds.

NOTES:
© COPYRIGHT
This drawing and any design hereon is copyright of JOR Consulting Engineers and must not be reproduced in whole or in part without their express written consent.

ISSUED FOR PLANNING

REV	DATE	DETAILS
A	28/06/19	Issued for Planning
B	03/03/20	Issued for Tender
C	30/03/22	Issued for SHD Application



CLIENT
Eastwise Construction Swords Ltd

PROJECT	SCALE	DATE CREATED	DRAWN BY:	DOB
Hartfield Place, Swords Road, Whitehall, Dublin 9, D09 C7F8	As Shown @ A1	JUNE 2019	HARTPL-JOR-SM-ZZ-DR-C-0006	MS

TITLE	REV
Typical Drainage Details Storm	C